

ITEM NO.	P/N	NO. REQD	DESCRIPTION
1	048-012-0046	1	CROSS ARM SUPPORT (6" CW)
2	006-002-0021	1	ELECTRIC JUNCTION BOX
3*	006-042-0093	2	COIL, MINI, 120v 60Hz 6" DRIVE
3*	006-042-0096	2	COIL, MINI, 240v 60Hz 6" DRIVE
4	045-007-0011	2	POLE FACE (6" DRIVES)
5	053-001-0004	4	TOE CLAMP (6"-10" DRIVES)
6	088-003-0069	8	SPRING SPACER 6"
7	090-003-0023	8	LEAF SPRING, 1/8" FOR 6" DRIVES
8	096-001-0011	4	MOUNTING PAD (SMALL)

SPARE PARTS:

COIL OPTIONS:

120 VAC: P/N 006-042-0093

240 VAC: P/N 006-042-0096

SPRING OPTIONS:

1/8" THK - P/N 090-003-0023

SPACER: COMMON 6" DRIVES: P/N 088-003-0069

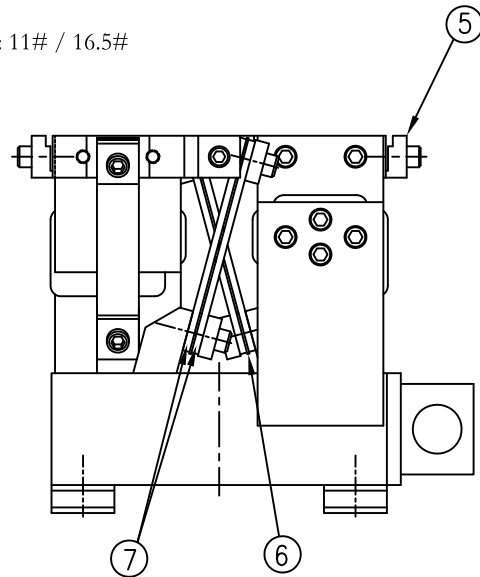
MOUNTING FEET: P/N 096-001-0011

TOE CLAMP OPTIONS:

STANDARD: P/N 053-001-0004

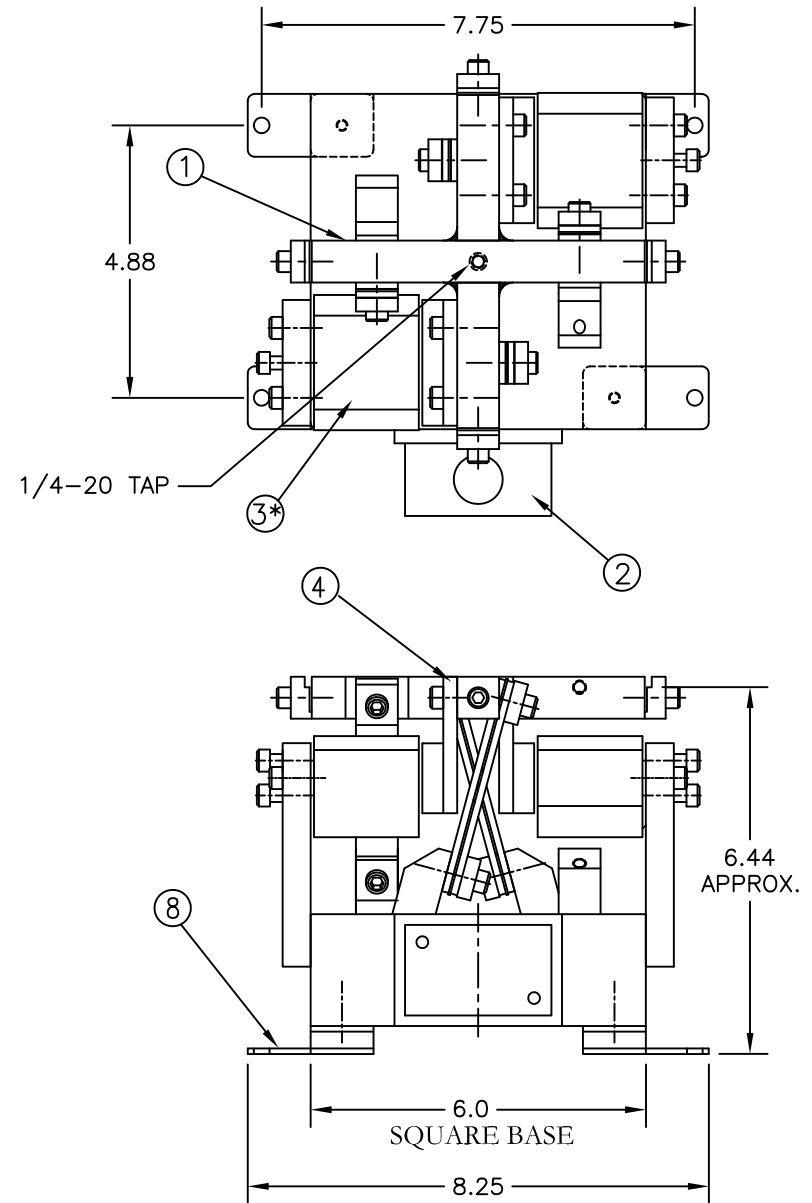
AVG WEIGHT / MAX BOWL /PARTS WEIGHT: 11# / 16.5#

DRIVE BASE WEIGHT: 32 #



Dimensions are for reference only

Rodix, Inc. claims the proprietary rights in the material disclosed hereon. This drawing is issued for engineering information only. It may not be reproduced, nor may the information be used for manufacturing purposes without permission from Rodix, Inc.



Rodix Inc.
 Drive Base Assembly
 6" CW 4 Post, 2 Coil
 120 VAC = P/N 026-202-0010



Rodix, Inc. 2316 23rd Ave.
 Rockford, IL 61104
 Ph. (800) 562-1868 Fax (815) 316-4701
 www.rodix.com